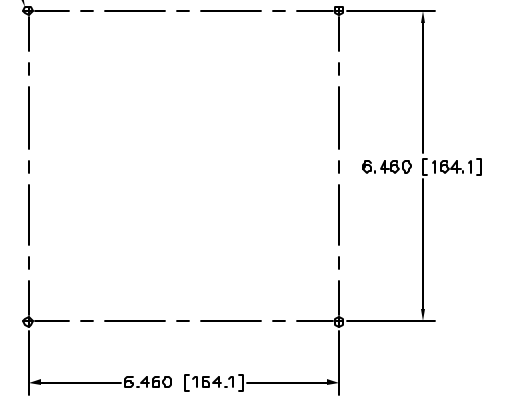
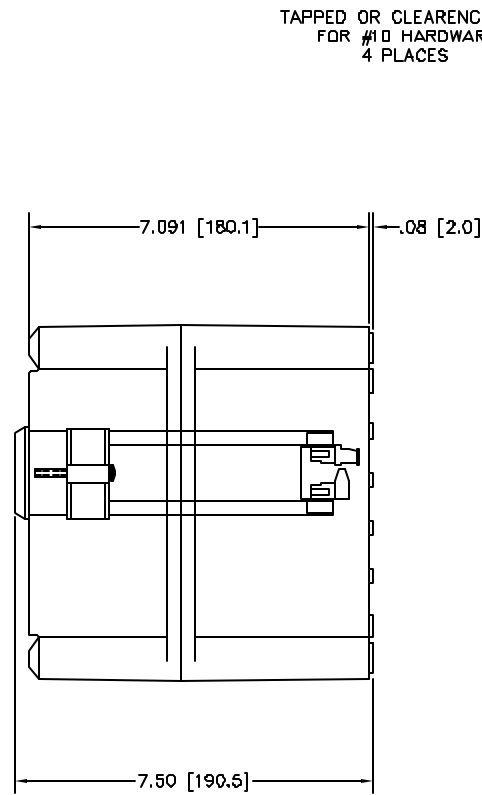
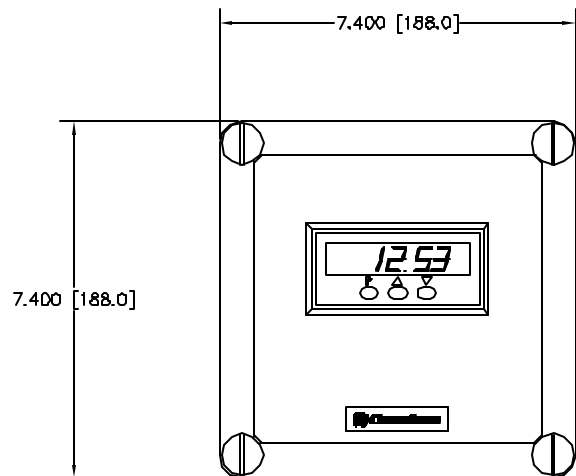


REV	REVISIONS	DATE	APPD
A	ORIGINAL RELEASE	3/94	EDC
B	CHANGED PER ECO# 1319	7/94	DAS
C	CHANGED PER ECO# 2077	8/97	DAS



MOUNTING DETAIL

NOTES:

- METER MUST BE PURCHASED SEPARATELY.
- APPROXIMATE WEIGHT - 4 LB [2 KG].

PART NUMBER 1712000		DESCRIPTION DISPLAY ENCLOSURE OPTION	
DIM. ARE INCHES [mm] ALL METRIC DIMENSIONS ARE DERIVED FROM INCHES		<b>JOWA Consilium</b>	
.XX ± .020     ± 1/2° .XXX ± .010 .XXXX ± .005		OUTLINE & MOUNTING DISPLAY ENCLOSURE OPTIONAL	
DRN: MAP	2/8/94	C	1711900
CHK:			
APPD: EDC	3/10/94	SCALE: 1:2	SHEET 1 OF 1